

MANISCOPIC

MT 1740 SL T

- Maximum lifting height : 16.65 m
- Nominal capacity : 4000 kg at 500 mm
- Maximum forward reach : 12.35 m
- Torque convertor
- 4 wheel drive - 4 wheel steer
- Hydraulic stabilizers
- Frame levelling



PERKINS ENGINE 1000 SERIES COMPLYING WITH EUROPEAN DIRECTIVE 97/68/EEC



MT 1740 SL T



Lift capacity4000 kg
at 500 mm from forks heels.
Tipping load at maximum reach
with stabilizers957 kg
Tear out force with bucket
as per ISO 83137000 daN



Lift height16.65 m
Times : unladen / loaded (in s)
Lifting15.2/16.1
Lowering9.9/9
Extension 1st and 2nd booms21.8/24.4
Extension 3rd boom (with stabilisers only)10.4/11.5
Retraction 1st and 2nd booms17.7/17.4
Retraction 3rd boom (with stabilisers only)9.7/8.7
Time unladen (in s)
Crowd5.3
Dump8.4



Tyres
440/80-24 T37 158B



Forks (mm)
Length1200
Width x thickness125 x 50
Maximum distance between forks1040
Carriage rotation124°



Multidisc brakes - hydraulically assisted on both axles



PERKINS Engine Turbo
Type1004 - 4 Turbo
Capacity4 cylindres 3990 cm³
Power (ISO/TR 14396) :
at 2200 tr/mn100 HP/74.6 kw
Maximum torque (ISO/TR 14396) .402 Nm at 1400 r.p.m.
Direct Injection
Water Cooling



TransmissionTorque convertor
Electro-hydraulic reversing shift
4 gears forward and reverse
Maximum travel speed25 km/h



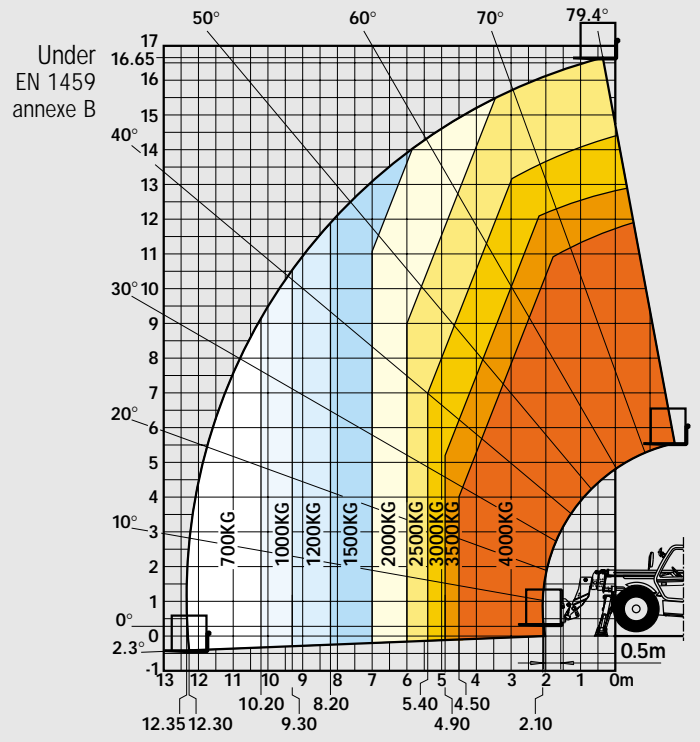
Hydraulics
Gear type160 bars /196 l/mn
Flow divider with priority to steering and brakes



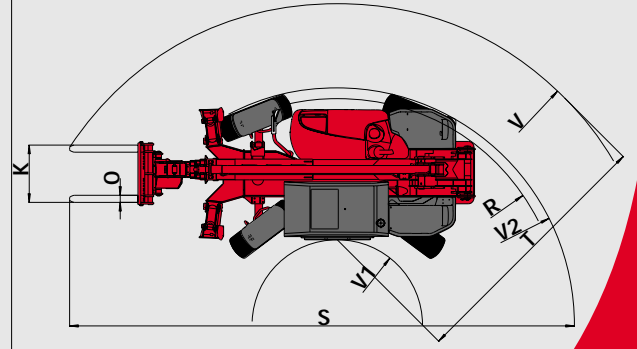
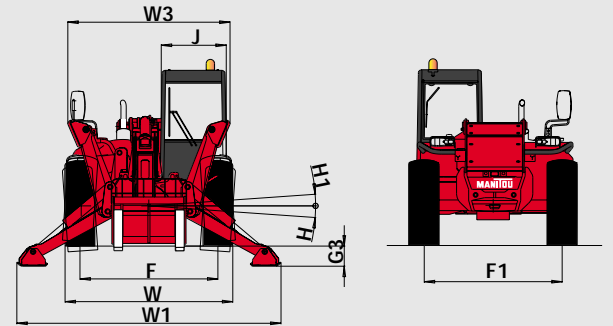
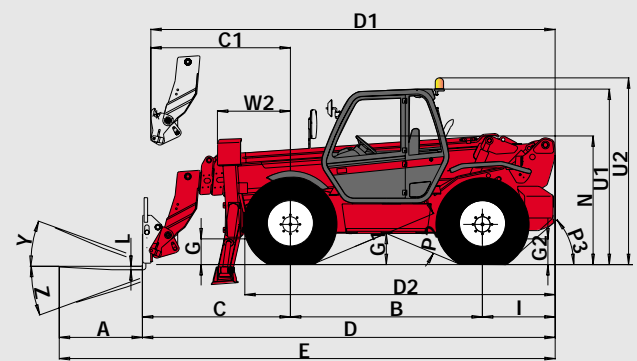
Capacities
Cooling system26.5 l.
Engine oil11 l.
Hydraulic oil175 l.
Transmission oil16 l.
Fuel tank135 l.



Weight unladen (with forks)10 835 kg
Overall width2.42 m
Overall height2.59 m
Turning radius (outside wheels)4.15 m
Overall length5.96 m
Ground clearance0.50 m
Drawbar pull (unladen)9400 daN



Under EN 1459 annexe B



A	1200
B	2770
C	2135
C1	2045
D	5955
D1	5865
D2	4435
E	7155
F	1990
F1	1990
G	500
G1	495
G2	500
G3	290
H	4°ou7%
H1	4°ou7%
I	1050
J	950
K	1040
L	50
N	1880
O	125
P2	45,5°
P3	50°
R	3935
S	8870
T	4665
U1	2590
U2	2770
V	5750
V1	1470
V2	4150
W	2425
W1	3820
W2	1050
W3	2350
Y	12°
Z	112°

mm

This publication in no way constitutes an offer and the company reserves the right to alter specification without prior notice.
The MANITOU models presented in this brochure can be supplied complete with optional equipment attachments
PATENTS FR 93 14367 - EP 0 656 315 US PENDING



Provisory



MANITOU B.F. S.A.
B.P.249 - 44158 ANCENIS CEDEX - FRANCE
TEL : 33 2 40 09 10 11
EXPORT DEPARTMENT FAX : 33 2 40 09 10 97
www.manitou.com